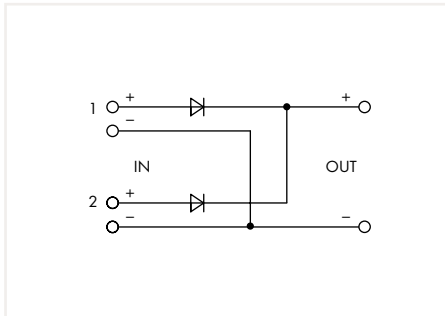
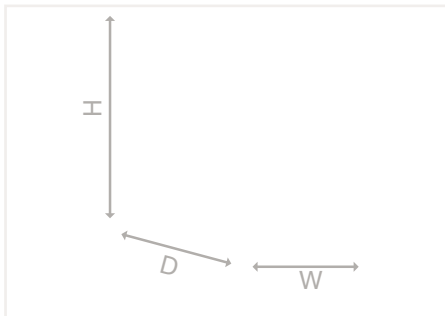


Redundancy Module; 24 VDC / 76 A 787 Series



Redundancy Module; Input voltage: 2 x 9 ... 54 VDC;
Input current: 2 x 40 A; Output voltage:
9 ... 54 VDC; Output current: 76 A

Item No.	Pack. Unit
787-785	1



Features:

- Redundancy module with two inputs for decoupling two power supplies
- For redundant and fail-safe power supply
- With LED for input voltage monitoring on site

Input	
Nominal input voltage $U_{i, \text{nom}}$	2 x 24 VDC
Input voltage range	2 x 9 ... 54 VDC
Nominal mains frequency range	0 Hz
Input current I_i	≤ 40 A (per path); ≤ 76 A (in total)

Output	
Nominal output voltage $U_{o, \text{nom}}$	24 VDC
Output voltage range	9 ... 54 VDC (U_i - Voltage drop)
Voltage drop	≤ 0.5 V (input/output)
Nominal output current $I_{o, \text{nom}}$	76 A (UL: max. 65 A)
Output power (max.)	4104 W
Nominal output power	1824 W

Signaling and Communication	
Signaling	1 x IN1 LED (green); 1 x IN2 LED (green); 1 x OUT LED (green)

Efficiency/Power Losses	
Power loss P_i	≤ 38 W (nominal load)
Efficiency	≥ 97 %

Safety and Protection/Environmental Requirements	
Isolation voltage (connectors – housing)	500 VDC
Protection class/protection type	III / IP20 (per EN 60529)
Short-circuit-protected	No
Parallel operation/series operation	Yes/no
MTBF	> 10 million h (per IEC 61709)
Surrounding air temperature (operation)	-25 ... +70 °C
Relative humidity	≤ 95 % (no condensation permissible)
Derating	-2.66 %/K (+55 °C < Tamb ≤ +70 °C)
Pollution degree	2

Connection Data	
Connection technology	Push-in CAGE CLAMP®
Input/output (solid/fine-stranded/AWG)	1.5 ... 16 mm ² / 1.5 ... 16 mm ² / 16 ... 6 AWG

Geometric Data/Mechanical Data/Material Data	
Width x height x depth (mm)	83 x 130 x 153; depth from upper-edge of DIN-rail
Mounting type	DIN-35 rail (EN 60715)
Weight	960 g

Standards and Specifications	
Approvals/standards/specifications	CE; UL 508